


PRODUCT SHEET

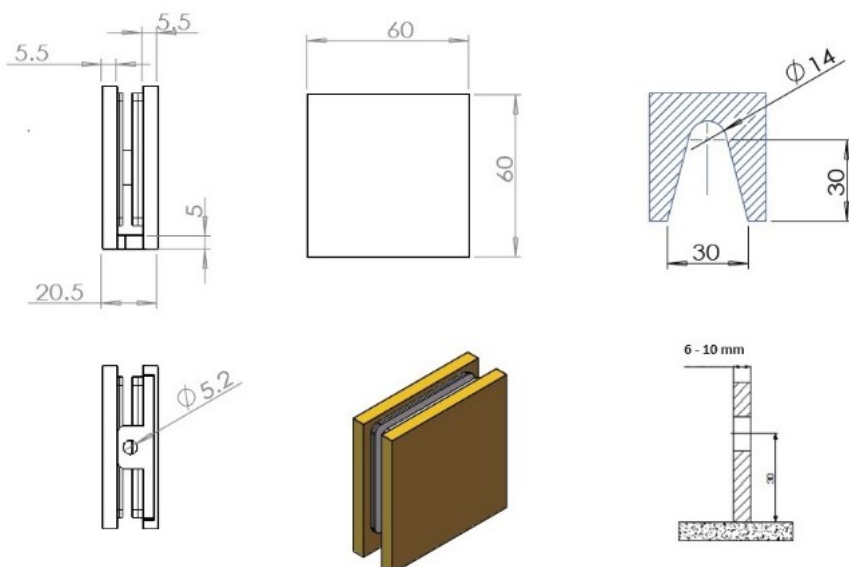
Description:

Glass Clamp "Lima", 180DG, Brushed Brass, Wall/Glass, 60x60x 20,5mm, F/6-10mm Glass, Wall Mounted By 1 x \varnothing 5mm Screw Hole,, Glass Mounted By \varnothing 14mm Drilling, Hidden Screws, Brass, Alu & SS-304 Material

Item number:

15.26.830-6

Units	Box	Carton	HS Code	Barcode
Pcs.			8302419000	
				5704866519366



SISO A/S

Mileparken 11
DK-2740 Skovlunde
Denmark
VAT: 24786013

Phone +45 45 830 900

www.siso.dk
siso@siso.dk

Danske Bank
Nytorv Branch
Copenhagen
SWIFT: DABADKKK

Account no.
4180 3112 112936
IBAN Account
DK7230003112112936